



References to ANSA in SAE papers

to purchase these papers, visit [www.sae.org](http://www.sae.org)



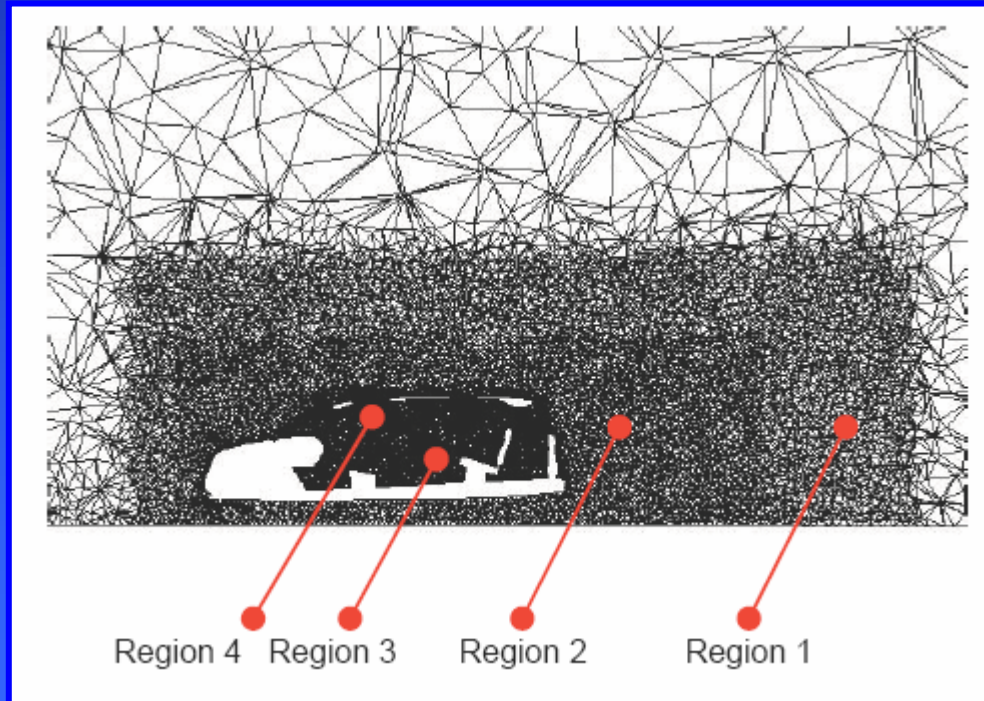
References to ANSA in SAE papers

***“Optimization Study for Sunroof Buffeting Reduction”***

Chang-Fa An and Kanwerdip Singh

DaimlerChrysler

SAE 2006-01-0138



References to ANSA in SAE papers

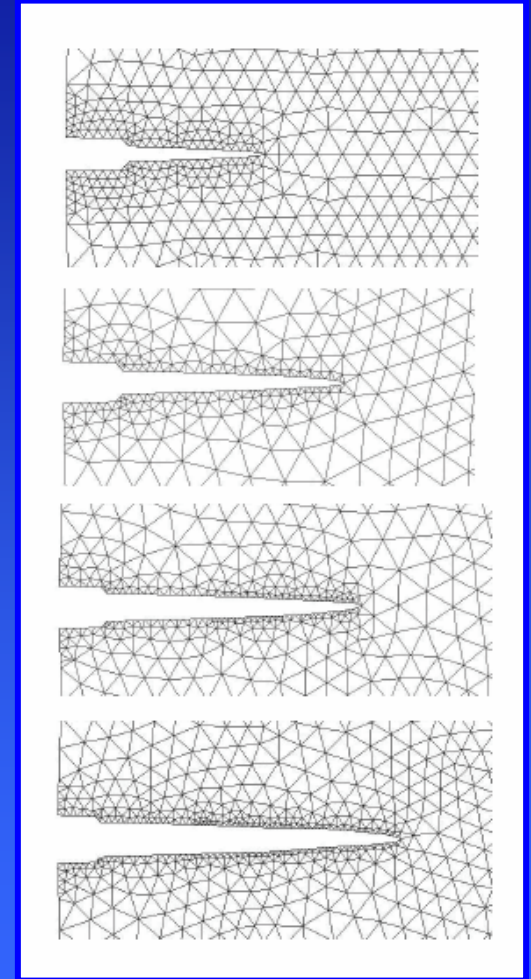
***“Simulation of Fatigue Crack Propagation in 3D Shell Structures”***

**Holger Aretz, LASSO Ingenieurgesellschaft mbH**

**Steffen Greuling, DaimlerChrysler AG**

**Sridhar Srikantan, DaimlerChrysler Corporation**

*SAE 2006-01-0785*



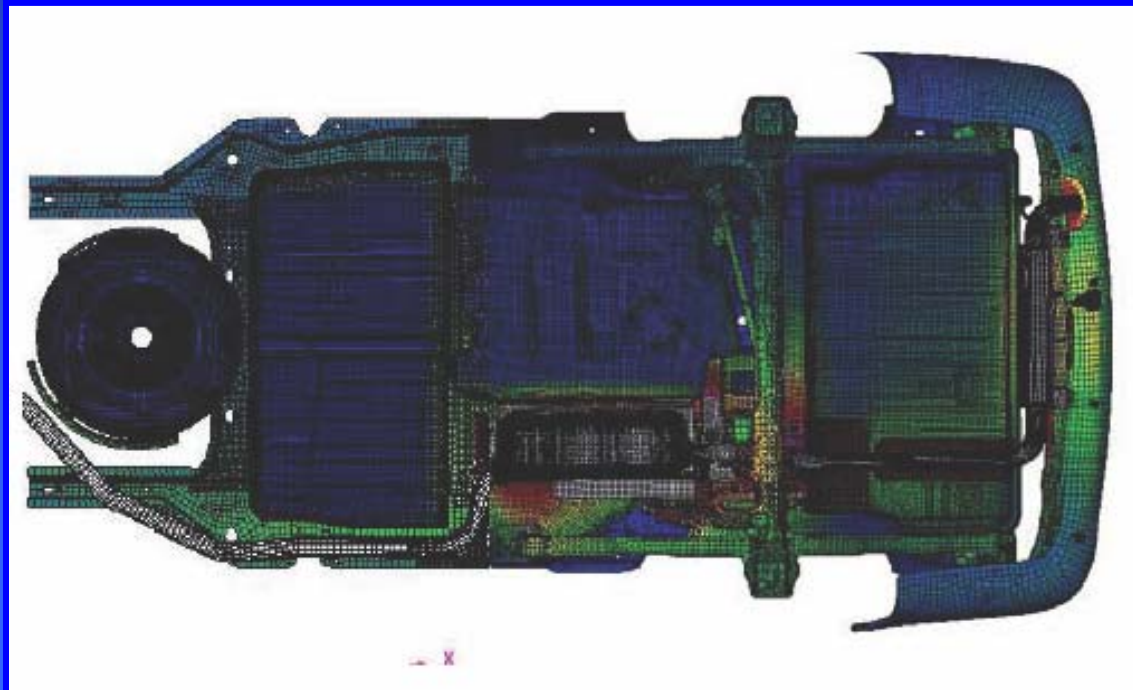
References to ANSA in SAE papers

*“An Efficient Procedure for Vehicle Thermal Protection Development”*

Kumar Srinivasan, George Woronowycz, Michael Zabat and John Tripp

DaimlerChrysler Corporation

SAE 2005-01-1904



References to ANSA in SAE papers

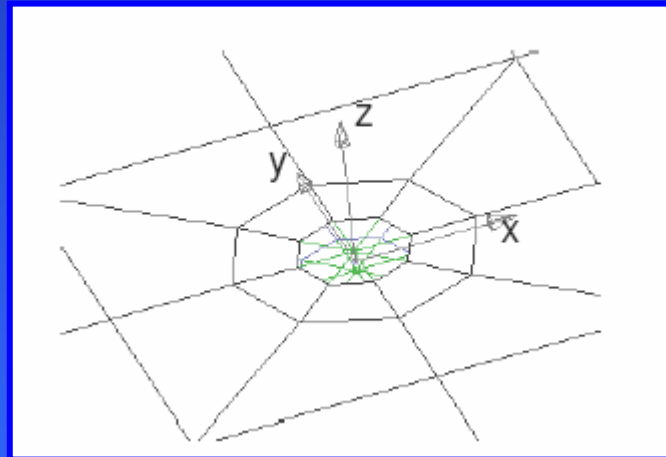
---

***“Simplified Spot Weld Model for NVH Simulations”***

**Shicheng Zhang**

**Research and Technology, DaimlerChrysler AG**

*SAE 2005-01-0905*



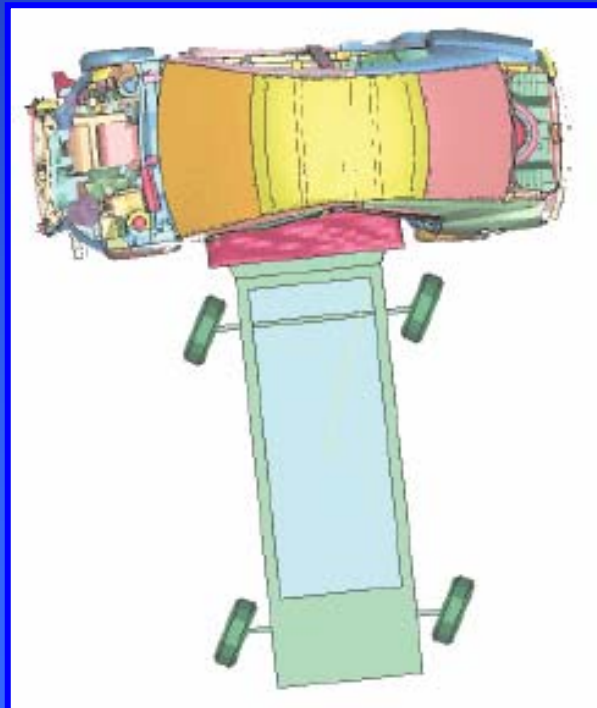
References to ANSA in SAE papers

***“Robust Design of Side Impact Simulation Using FEM Based on VCM Concept”***

**Jun Hsu and Hironobu Kondo, Engineous Japan Inc.**

**Masahiro Awano, Mitsubishi Motors Co.**

*SAE 2005-01-0818*



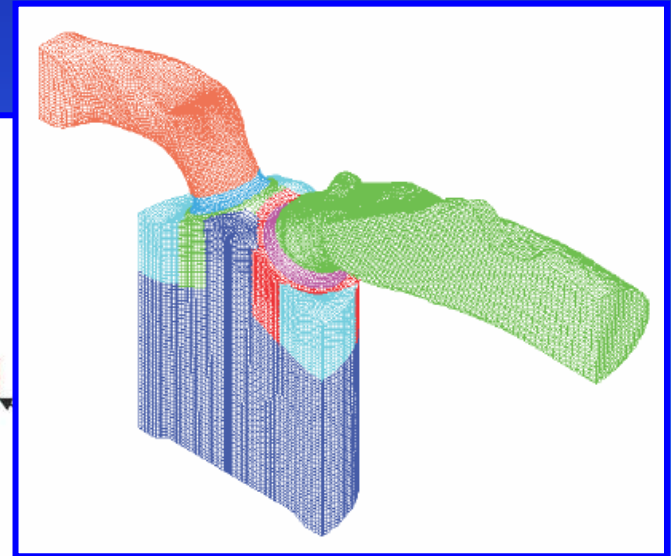
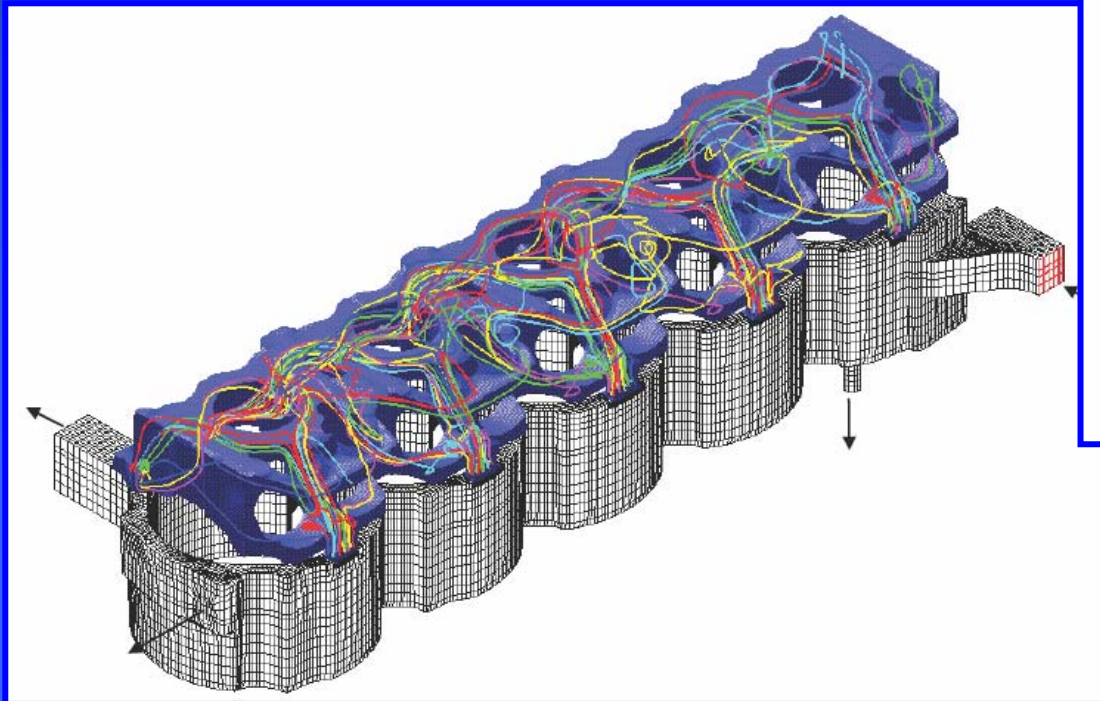
References to ANSA in SAE papers

***“CFD-Analysis of Cycle Averaged Heat Flux and Engine Cooling in an IC-Engine”***

S. Etemad, J. Wallesten, C.F. Stein, S. Eriksson and K. Johansson

**Volvo Car Corporation**

SAE 2005-01-0200



References to ANSA in SAE papers

***“Attempts for Reduction of Rear Window Buffeting Using CFD”***

**Chang-Fa An, Exa Corporation**

**Mitchell Puskarz, Kanwerdip Singh and Mark E. Gleason, DaimlerChrysler Corporation**

*SAE 2005-01-0603*





## References to ANSA in SAE papers

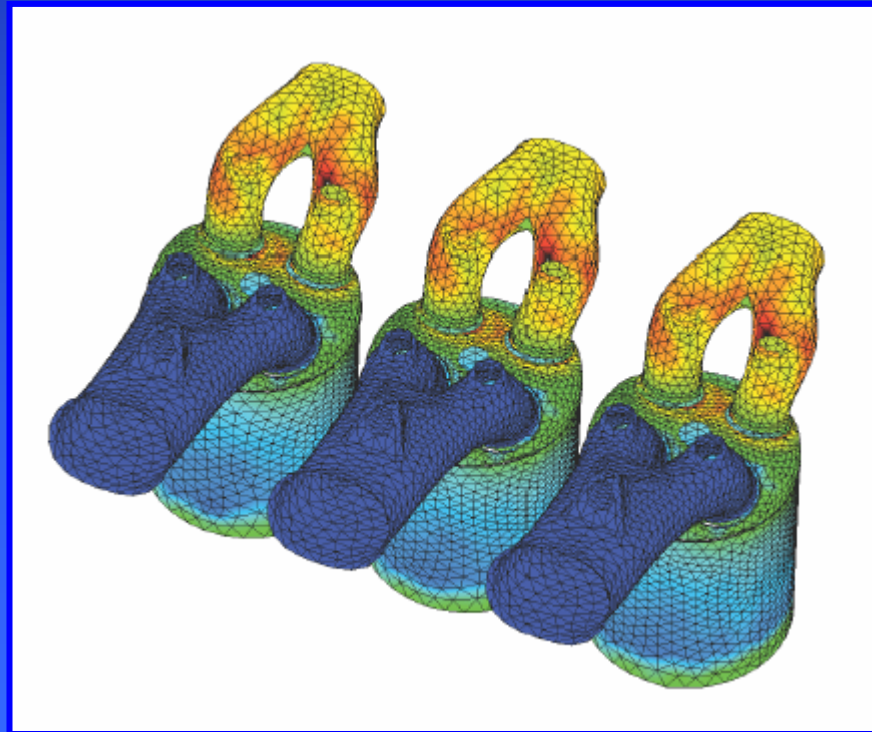
---

***“Heat Transfer Analysis and Cycle Averaged Heat Flux Prediction by Means of CFD and its Validation for an IC-Engine”***

**S. Etemad, C.F. Stein and S. Eriksson**

**Volvo Car Corporation, Gothenburg, Sweden**

*SAE 2005-01-2029*



References to ANSA in SAE papers

---

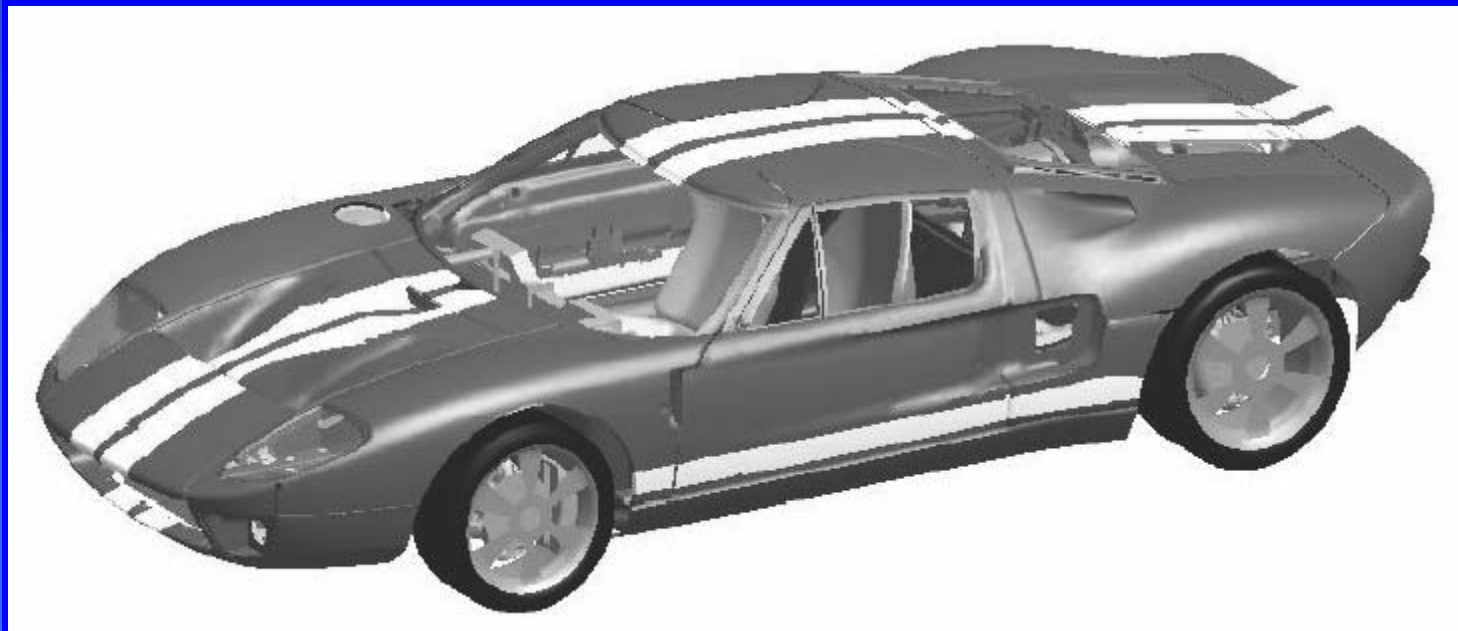
***“Design and Analysis of the Ford GT Spaceframe”***

**Huibert Mees, Ford Motor Co.**

**Celyn Evans, Mayflower Vehicle Systems Inc.**

**Simon Iregbu and Tim Keer, Ove Arup & Partners Detroit Ltd.**

*SAE 2004-01-1255*



References to ANSA in SAE papers

***“Side Window Buffeting Characteristics of an SUV”***

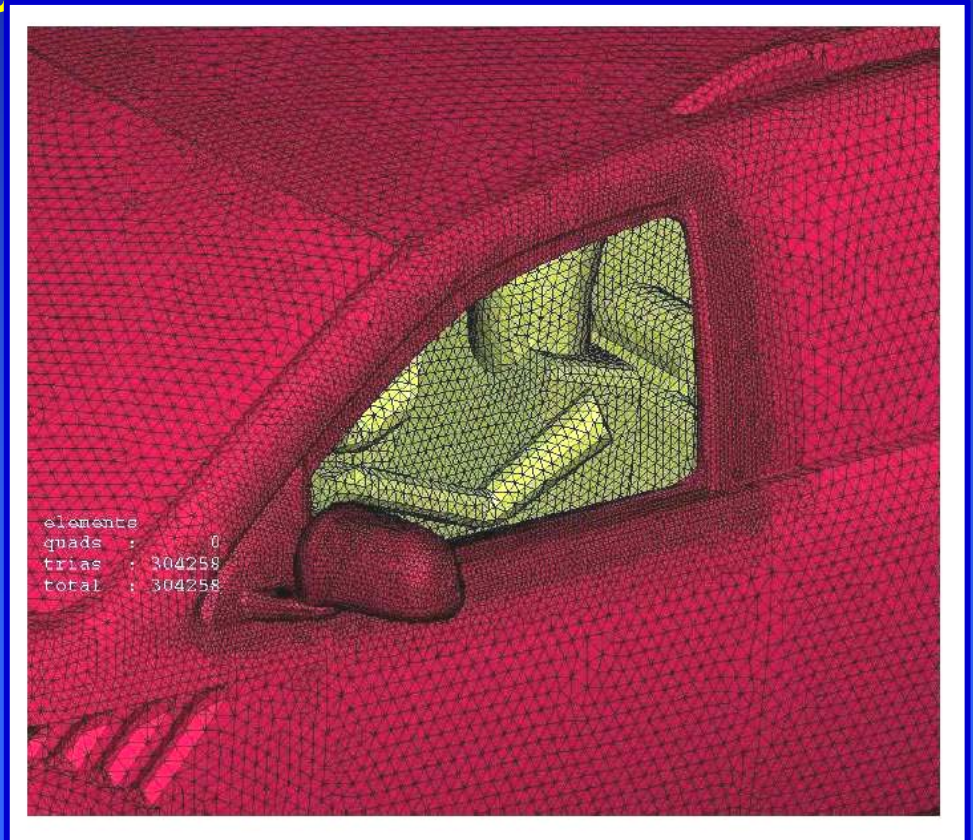
**Michael S. Scislowicz and Kanwerdip Singh, Daimler Chrysler Corp.**

**Sandeep D. Sovani, Fluent Inc.**

**Seyed Mehdi Alaie, Optimal CAE Inc**

**Chang-Fa An, Belcan Corporation**

*SAE 2004-01-0230*



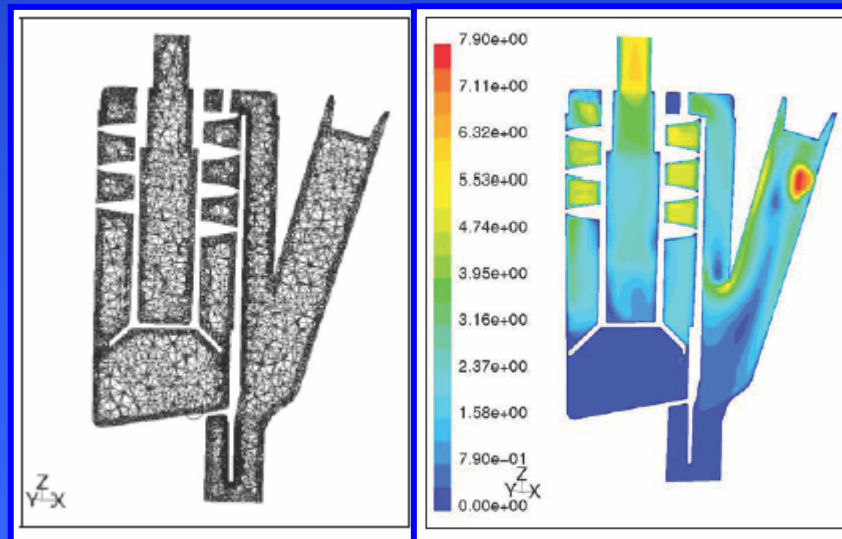
## References to ANSA in SAE papers

### *“Prediction of the Efficiency of an Automotive Oil Separator: Comparison of Numerical Simulations with Experiments”*

Sydney Tekam and Marc Demoulin, Renault S.A.

Virginie Daru, Laboratoire SINUMEF, Ecole Nationale Supérieures des  
Arts et Metiers

SAE 2004-01-3019

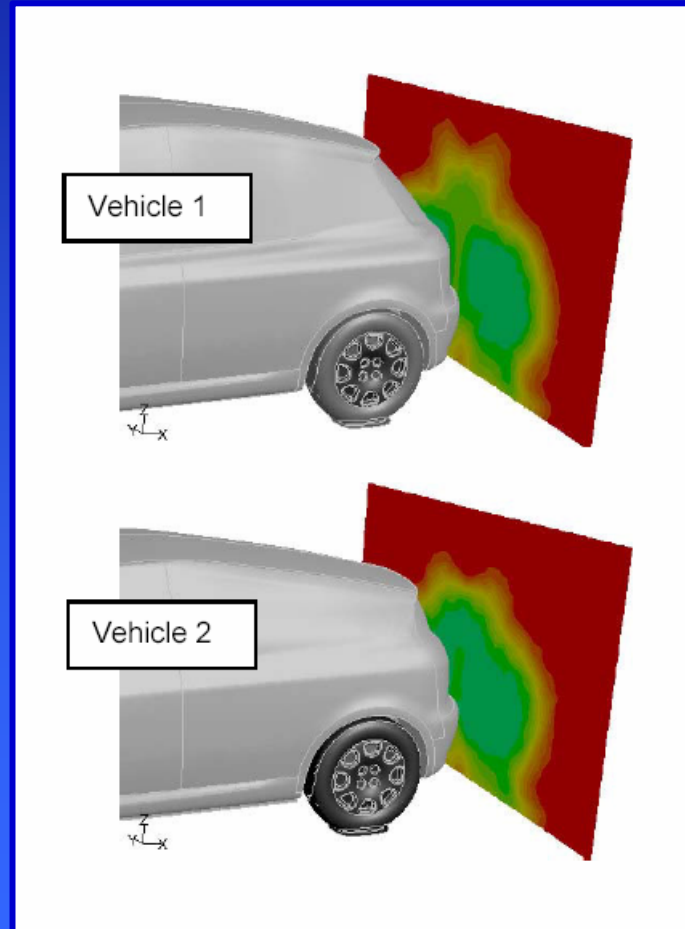


## References to ANSA in SAE papers

# *“Design of Experiments Methods Applied to CFD Simulations in Vehicle Aerodynamics”*

**A. Scotto d'Apollonia, B. Granier, P. Debaty**  
**PSA Peugeot Citroen, France**

SAE 2004-01-0443



References to ANSA in SAE papers

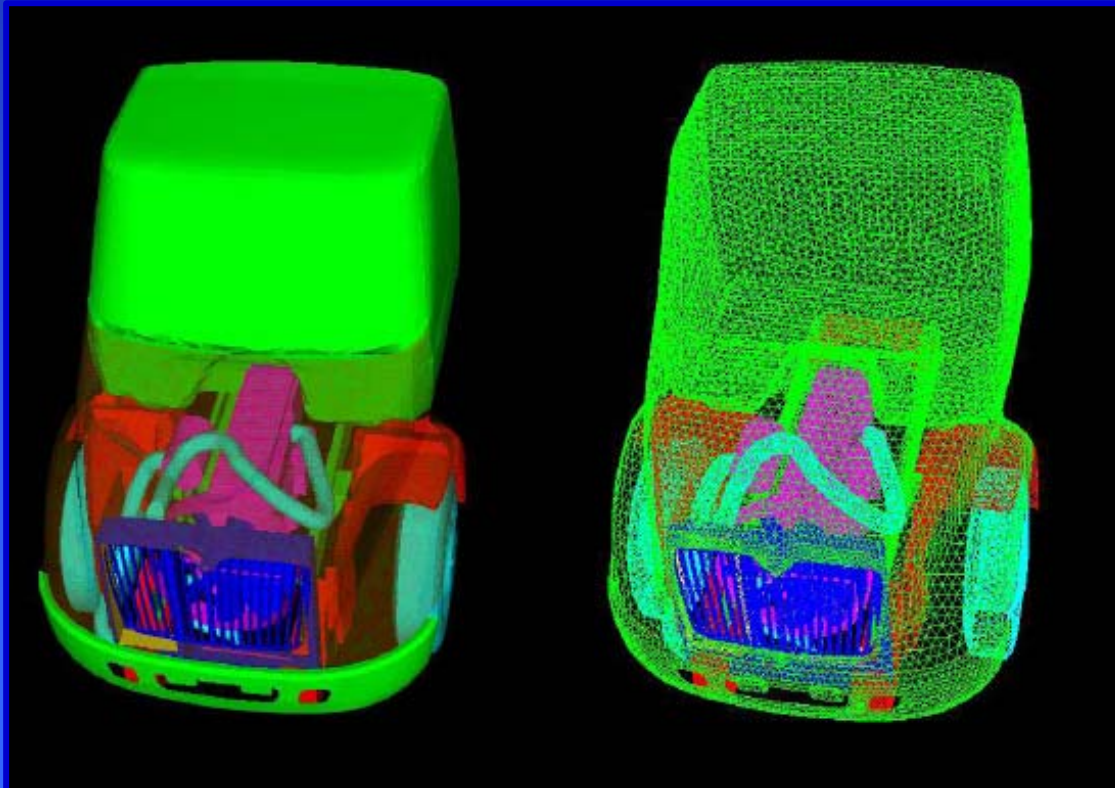
---

***“Improving Truck Underhood Thermal Management Through CFD”***

**Timothy P. Nobel and Sunil K. Jain**

**International Truck and Engine Corporation**

*SAE 2002-01-1027*



References to ANSA in SAE papers

---

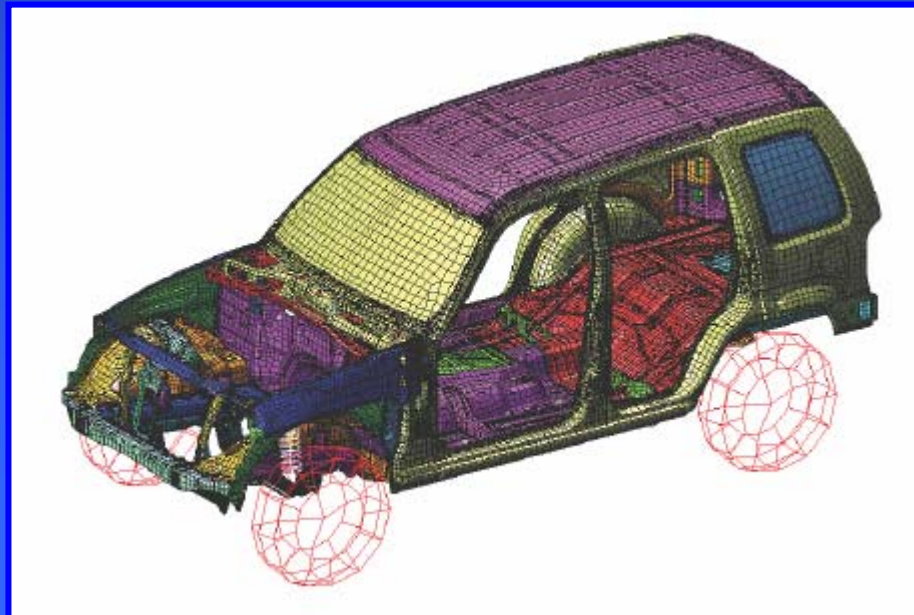
***“Application of CAE Simulation in 2002 Jeep Liberty Vehicle Development”***

**R. Dhulipudi, S. Drobot and S. Nayak, Jeep CAE, DaimlerChrysler Corp.**

**S. Gogate, Altair Engineering, Inc.**

**K. Potty, Quantum Consultants, Inc.**

*SAE 2001-01-3049*

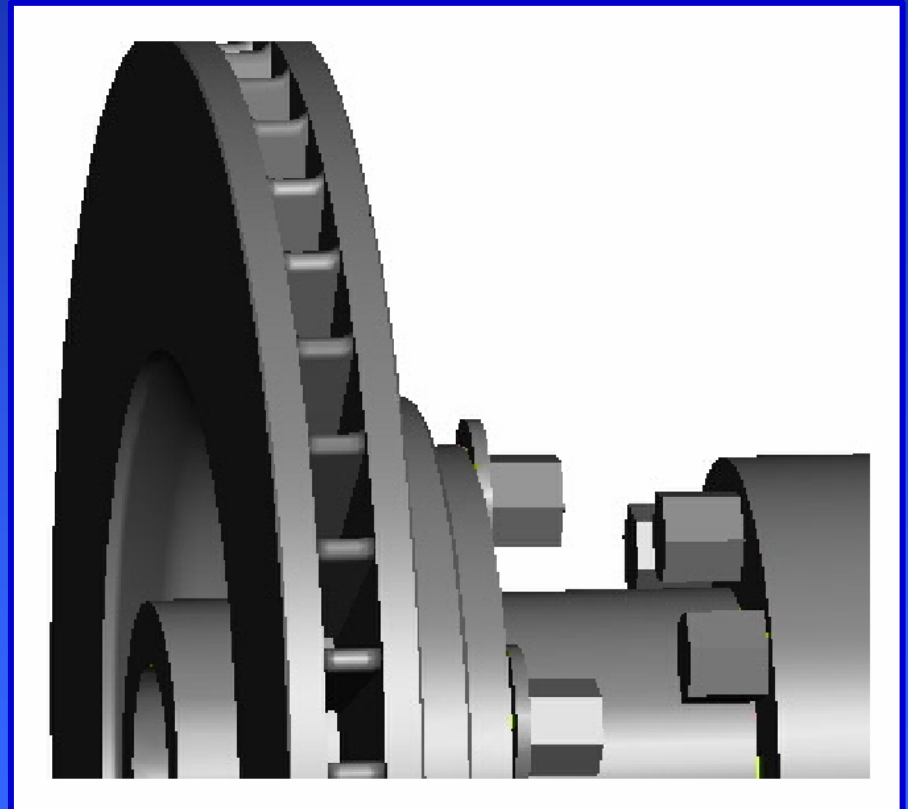


References to ANSA in SAE papers

*“Numerical Study of Brake Disc Cooling Accounting for both Aerodynamic Drag Force and Cooling Efficiency”*

**Anders Jerhamre and Christer Bergström, Volvo Car Corporation, Sweden**

SAE 2001-01-0948





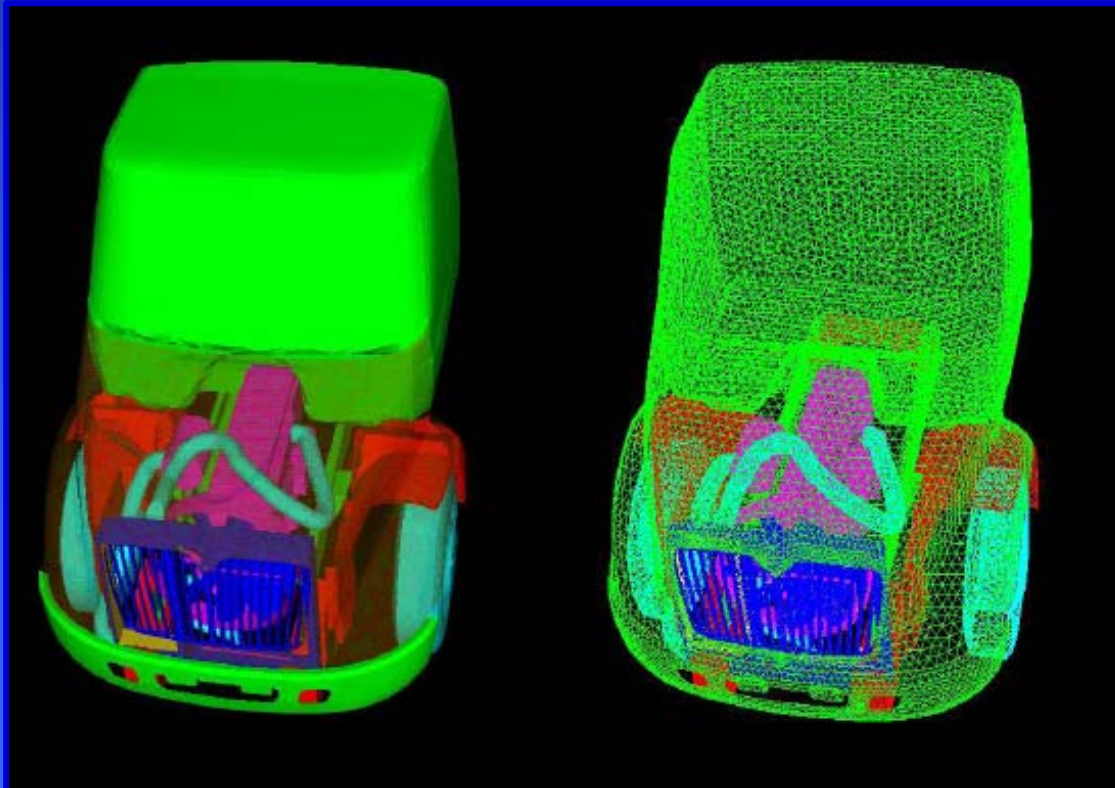
References to ANSA in SAE papers

---

***“A Multi-Dimensional Approach to Truck Underhood Thermal Management”***

**Timothy P. Nobel and Sunil K. Jain, International Truck and Engine Corp.**

*SAE 2001-01-2785*

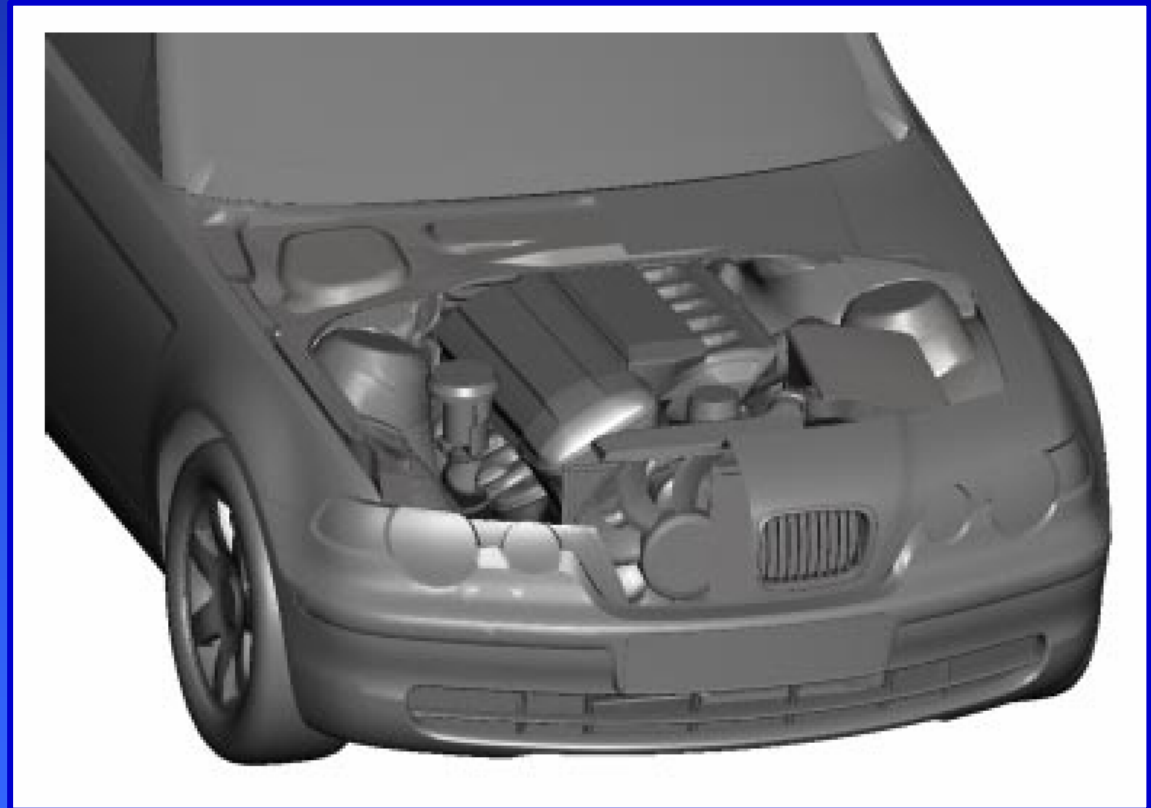


References to ANSA in SAE papers

***“A Numerical Simulation Strategy for Complex Automotive Cooling Systems”***

**G.Seider, F. Bet, T.Heid,Ulrich Hess, T. Klein and J. Sauer, BMW AG, Germany**

SAE 2001-01-1722

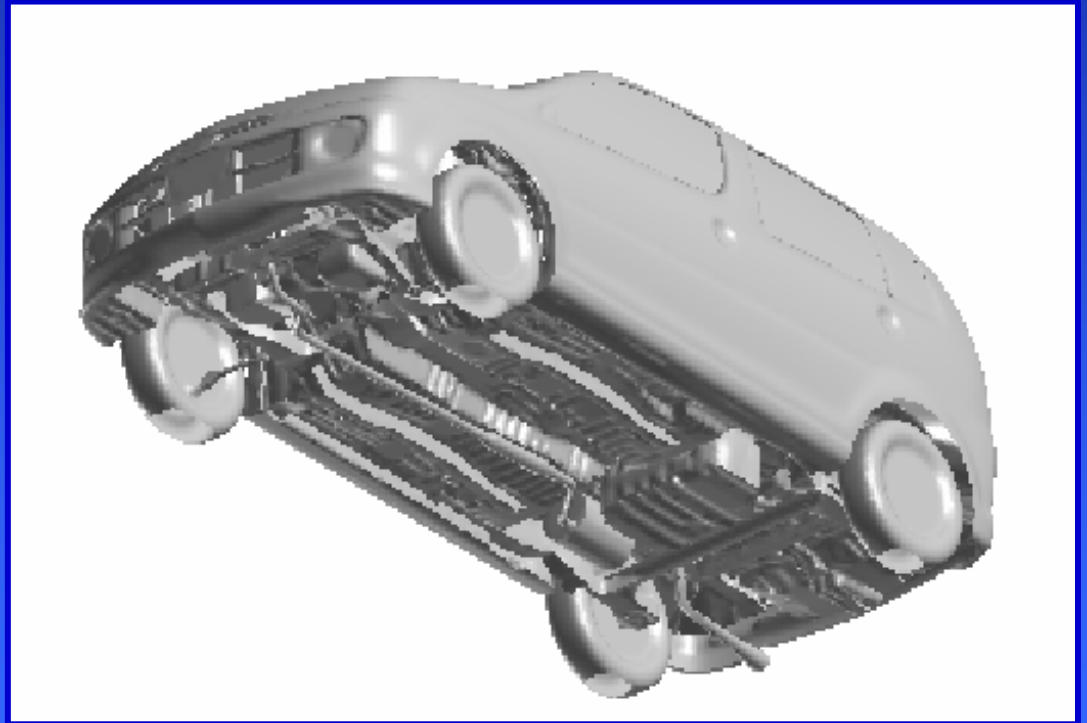


References to ANSA in SAE papers

***“Development of Underbody Aerodynamic Simulation Using Automatically Generated Tetrahedral and Prismatic Cells ”***

**Junya Ono, Yasushi Murakami and Kenji Okumura  
Daihatsu Motor Co. Ltd. Japan**

SAE 2001-01-0704

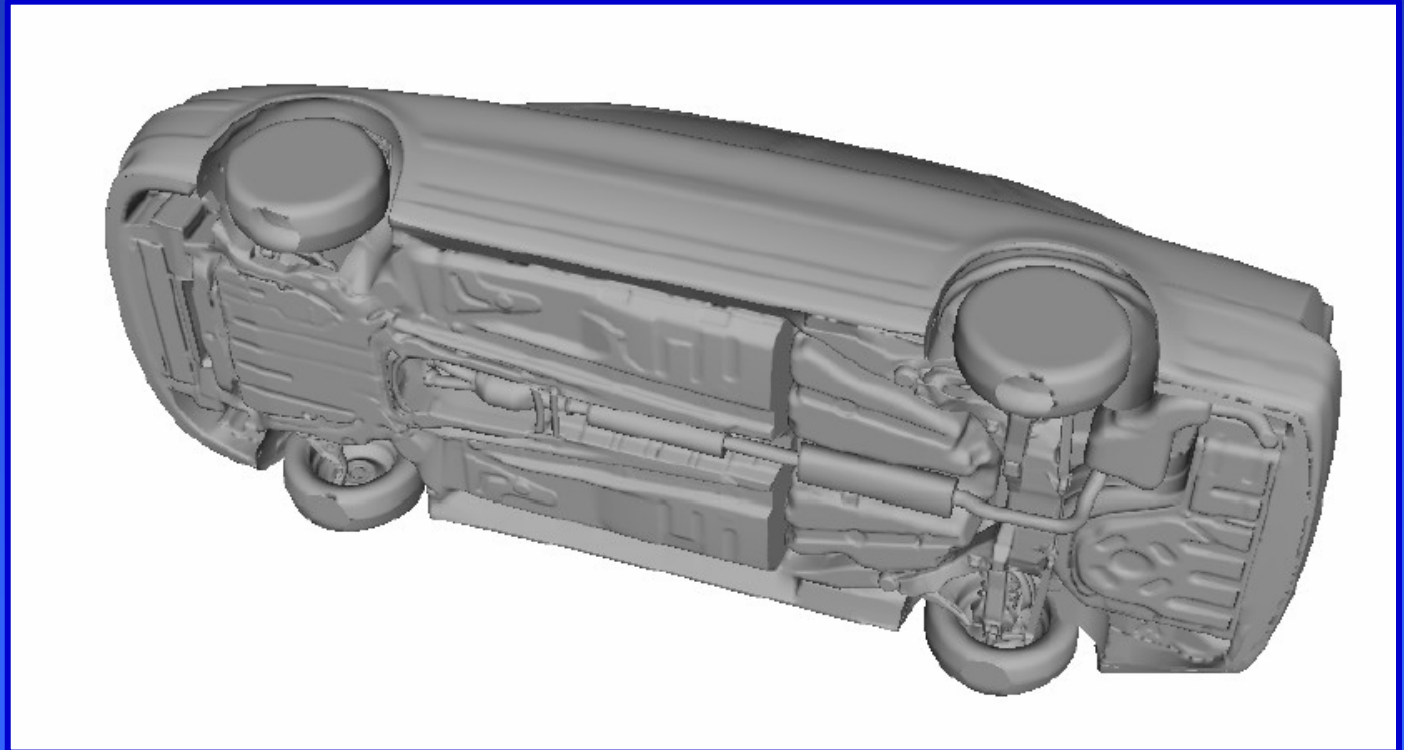


References to ANSA in SAE papers

***“Numerical Flow Simulations of a Detailed Car Underbody”***

**Simone Sebben, Volvo Car Corporation, Sweden**

SAE 2001-01-0703



References to ANSA in SAE papers

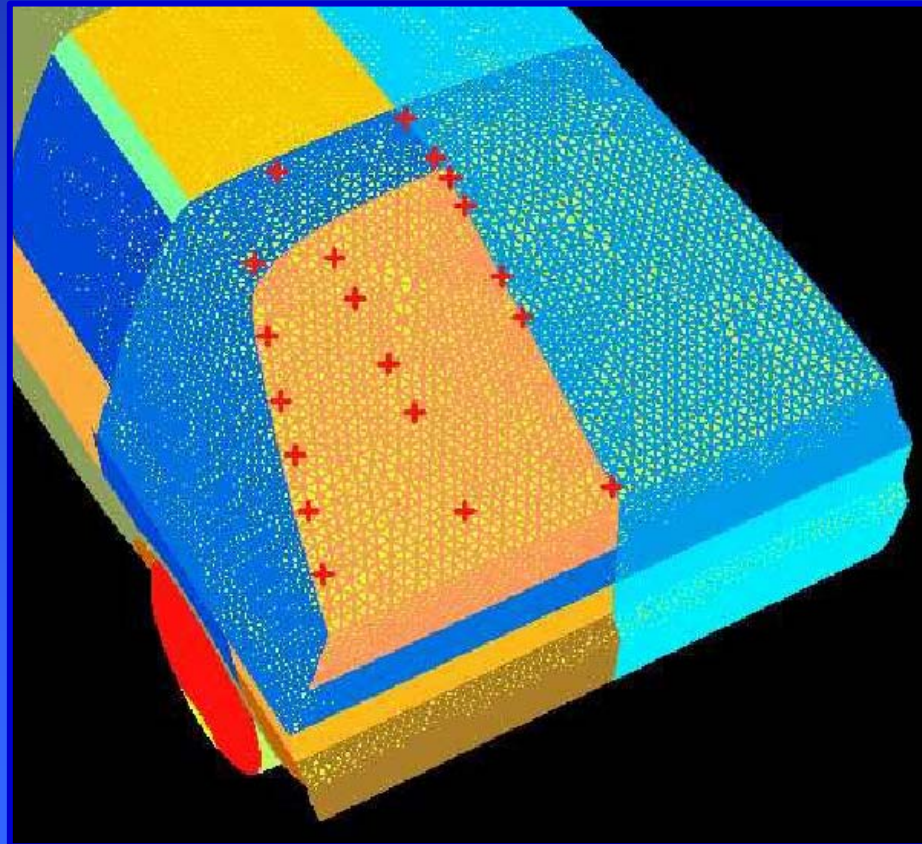
***“Pressure-Sensitive Paint for Automotive Aerodynamics”***

Jean-Luc Aider and Laurent Elena, **PSA, France**

Yves Le Sant, Florence Bouvier, Marie-Claire Merienne and Jean-Luc Peron

**ONERA, France**

SAE 2001-01-0627



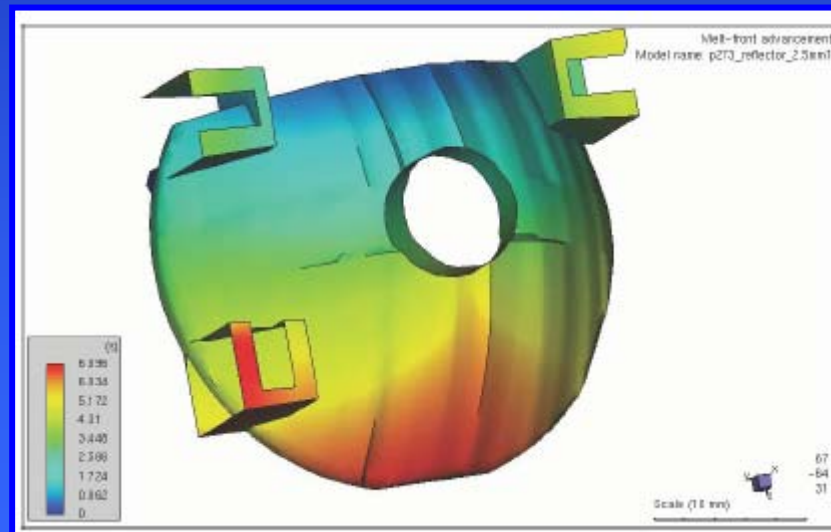
## References to ANSA in SAE papers

# *“Improvement of Product Development Time and Manufacturing Processing with the help of Computer Added Process Simulation Tools”*

Dirk F. Meyer

Visteon Corp. Europe

SAE 2001-01-3437

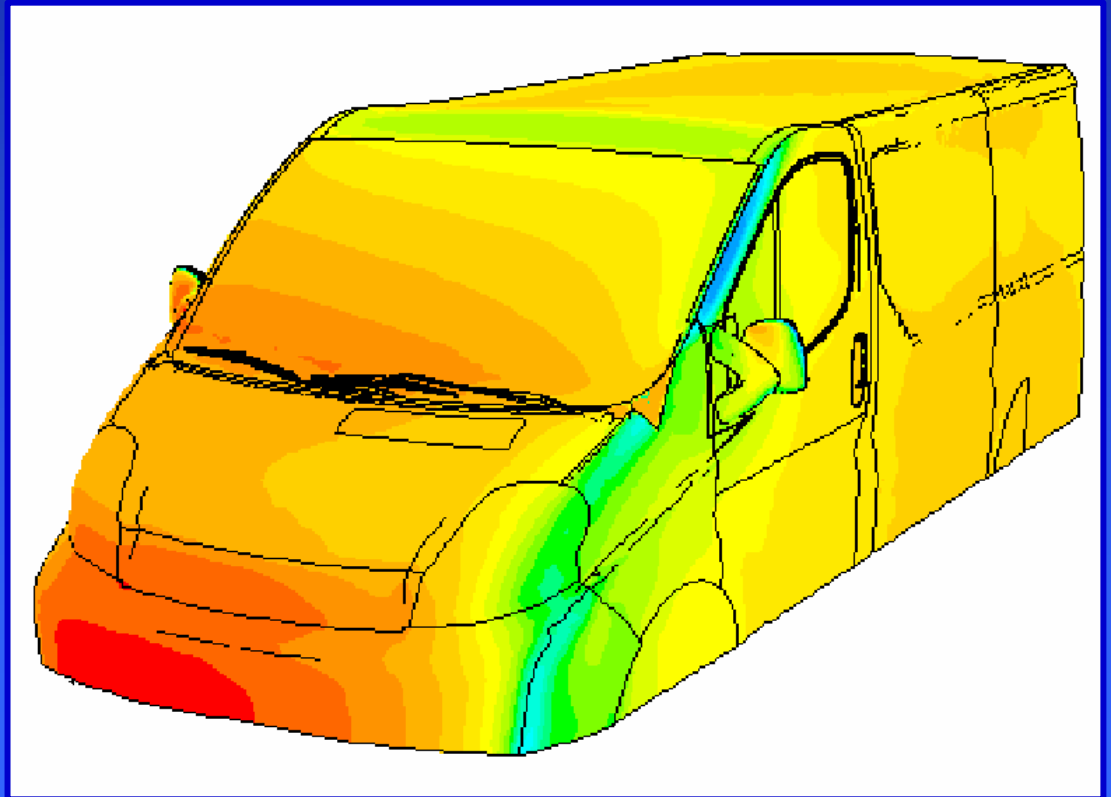


References to ANSA in SAE papers

***“Integration of Fluid Flow Modelling in the Vehicles Renault Development Process”***

**Williams Martin, Patrick Gilliéron, Renault S.A., France**

SAE 2001-01-0700



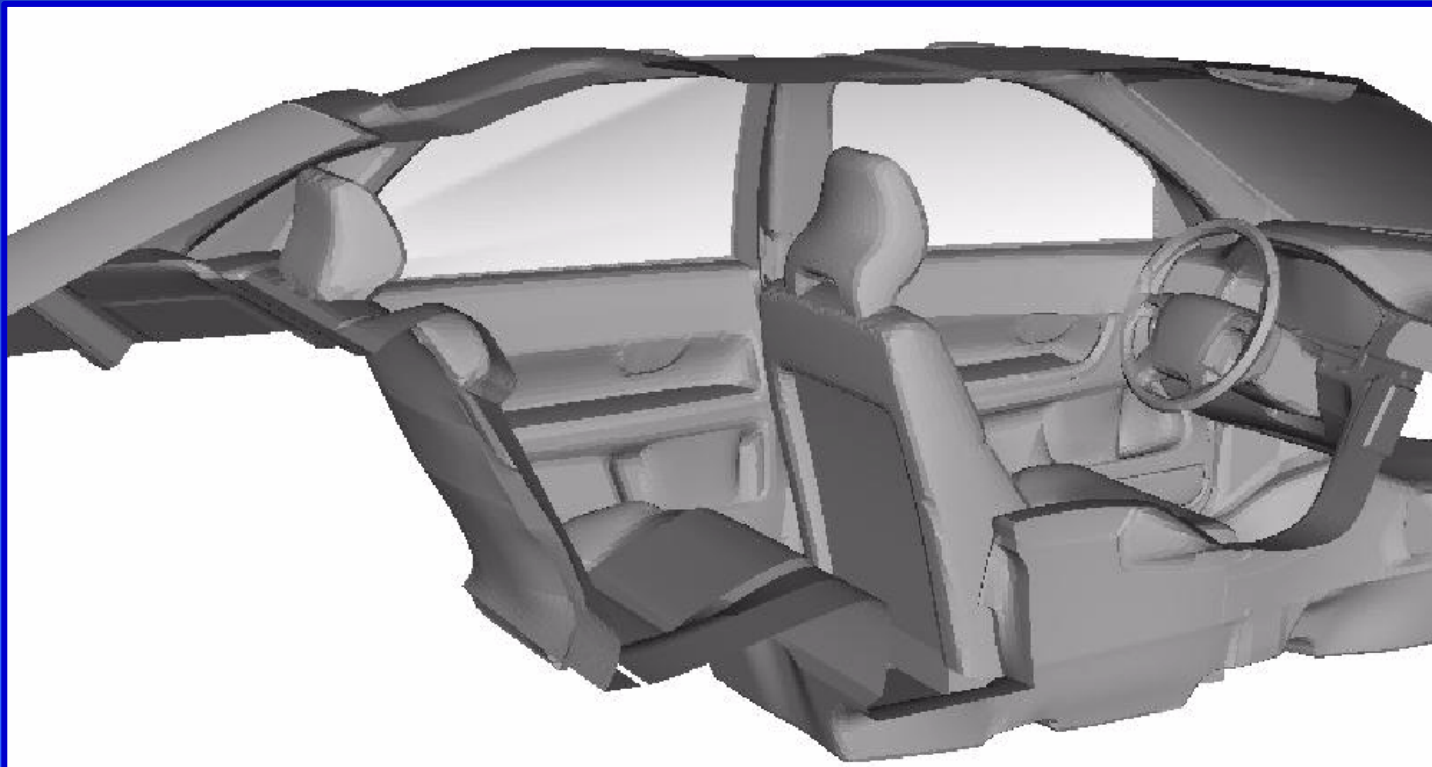
References to ANSA in SAE papers

---

***“Comparison Between CFD and PIV Measurements in a Passenger  
Compartment”***

**Dag Aronson, Zenitha Chroner, Per Elofsson and Henrik Fellbom  
Volvo Car Corporation, Sweden**

*SAE 2000-01-0977*





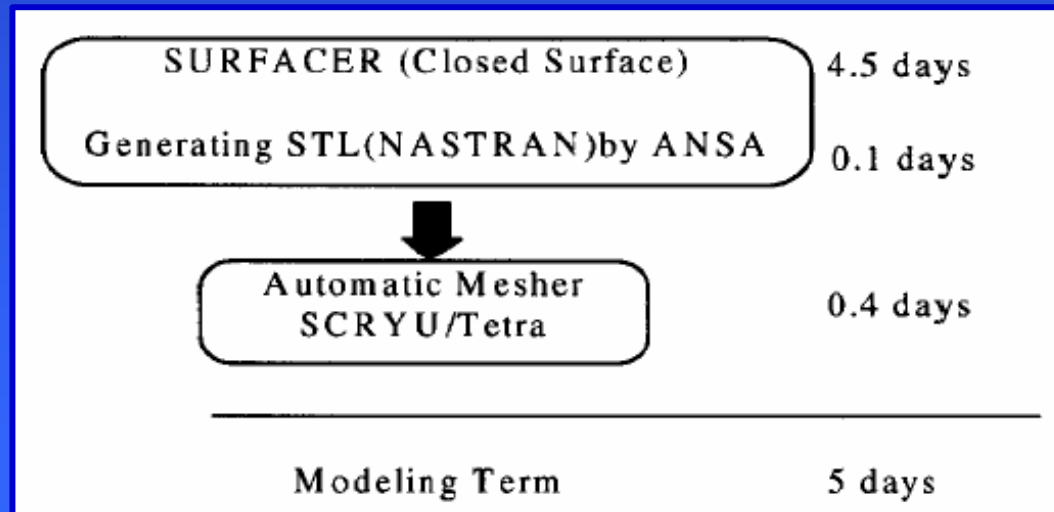
## References to ANSA in SAE papers

**“CFD Simulation by Automatically Generated Tetrahedral and Prismatic Cells for Engine Intake Duct and Coolant Flow in Three Days”**

**Kenji Okumura**

**Daihatsu Motor Co. Ltd. Japan**

*SAE 2000-01-0294*



References to ANSA in SAE papers

***“Accuracy in Flow Simulations of Climate Control  
– Part 2: The Passenger Compartment”***

**Zenitha Chron er and Niklas Axelsson  
Volvo Car Corporation, Sweden**

SAE 1999-01-1201

